

# ENFORCER CCD IR Day/Night Camera Manual

## TROUBLE SHOOTING

The screen is blank	Check that the camera is powered up. Check that the power supply's polarity is correct. Check that the monitor is powered up. Check that the video cable connecting the camera to the monitor is connected properly.
The screen image is dim	Clean the lens (using a soft, clean cloth). Check that the light source is adequate.
The screen image has poor contrast	Adjust the monitor's contrast knob. Change the position of the camera.
The screen image flickers	Change the position of the camera.
The screen image is distorted	Change the position of the camera.
The camera case is hot	Check that the correct power supply is in use.
IR LEDs do not turn on	Check that the correct power supply is in use.

## IMPORTANT

Users and installers of this product are responsible for ensuring this product complies with all national, state, and local laws and statutes related to monitoring and recording audio and video signals. SECO-LARM will not be held responsible for the use of this product in violation of any current laws or statutes.

## WARNING

Stop using the camera if you see a malfunction like smoke or unusual heat, as it could cause fire or electric shock. Do not open the case of this device, as there are no field-serviceable components inside.

## FCC COMPLIANCE STATEMENT

Information to the user: This equipment has been tested and found to comply with the limits for a class a digital device, pursuant to part 15 of the FCC rules. These limits are designed to provide reasonable protection against harmful interference when the equipment is operated in a commercial environment. This equipment generates, uses and can radiate radio frequency energy and, if not installed and used in accordance with the instruction manual, may cause harmful interference to radio communications. Operation of this equipment in a residential area is likely to cause harmful interference in which case the user will be required to correct the interference at his own expense.

## WARRANTY

ENFORCER IR Cameras are warranted against defects in material and workmanship while used in normal service for a period of one (1) year from the date of sale to the original customer. Our obligation is limited to the repair or replacement of any defective part if the unit is returned, transportation pre-paid, to SECO-LARM.

## NOTICE

The information and specifications printed in this manual are current at the time of publication. However, the SECO-LARM policy is one of continual development and improvement. For this reason, SECO-LARM reserves the right to change specifications without notice. SECO-LARM is also not responsible for misprints or typographical errors.

Copyright © 2008 SECO-LARM U.S.A., Inc. All rights reserved. This material may not be reproduced or copied, in whole or in part, without the written permission of SECO-LARM.

## SECO-LARM® U.S.A., Inc.

16842 Millikan Avenue, Irvine, CA 92606

Website: [www.seco-larm.com](http://www.seco-larm.com)

PITMW2

Tel: 800-662-0800 / 949-261-2999 Fax: 949-261-7326

E-mail: [sales@seco-larm.com](mailto:sales@seco-larm.com)

IMU\_EV-1006-N4XQ.PMD

# ENFORCER<sup>®</sup> VIDEO MANUAL

1/3" Sony CCD Color IR Day/Night Cameras  
4.3mm Lens, 78° Viewing Angle, up to 60' IR Range

EV-1006-N4BQ - Black Case

EV-1006-N4SQ - Silver Case

EV-1006-N4WQ - White Case



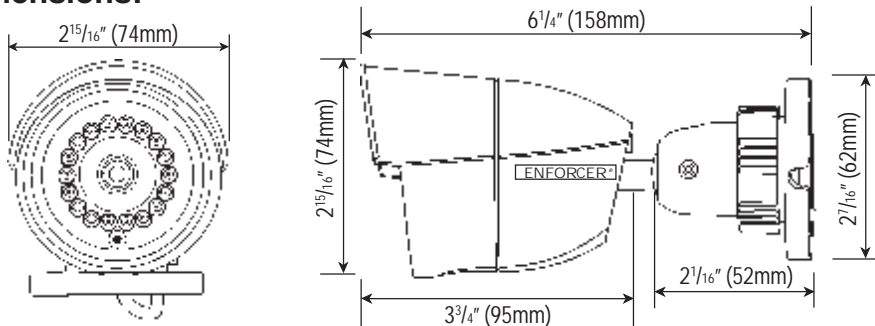
Weatherproof

**SLI**<sup>®</sup>  
SECO-LARM<sup>®</sup>

RoHS FC CE

Specifications	EV-1006-N4BQ/SQ/WQ
Type	Color camera
Chip	1/3" CCD, Sony
Resolution	420 TV lines
Pickup elements	510 x 492 pixels (NTSC / EIA)
Scanning system	2:1 interlace
Sync	Internal
Video output	1Vp-p composite output, 75 ohms
Lens	4.3mm, F2.0 fixed
Minimum illumination	0.4 lux (LED off), 0.0 lux (LED on)
Gamma correction	0.45
S/N ratio	>50dB (AGC off)
Shutter control	Auto Electronic Shutter (AES) 1/60-1/100,000 sec. (NTSC)
Backlight compensation	On
Automatic gain control (AGC)	Auto
Enclosure	IP66 weatherproof
# of infrared LEDs	18
Max. LED range	Up to 60 ft. (18m)
Power source	12VDC±10%
Power consumption	100mA (IR off), 280mA (IR on)
Operating temperature	14°-122° F (-10°-50° C)
Dimensions	6 1/4"(L) x 2 15/16"(D) (158 x 74 mm)
Weight	13.6 oz. (386g)

**Dimensions:**



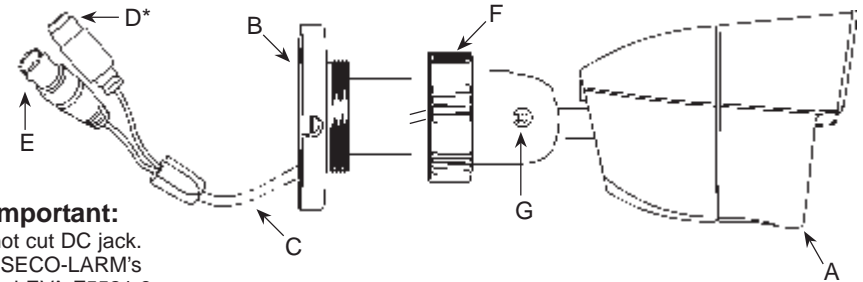
**Optional Accessories:**

			
EVT-PB1Q * Passive Video Baluns. * Up to 2,000 ft. range over CAT5e UTP cables.	EVP-1SD4P9UL * CCTV power supplies. * 4, 9, 16 outputs available.	VG-1C12AQ * Ground loop isolator.	ST-UV12-S0.5Q * Full line of plug-in adapters.

- A. Camera
- B. Mounting base
- C. 12" cord
- D. DC jack\*
- E. BNC connector (female)
- F. Adjustment collar
- G. Locking screw

**Parts List**

- 1 x IR camera with integrated mounting bracket
- 3 x Mounting screws
- 3 x Screw anchors
- 1 x Manual



**\*Important:**  
Do not cut DC jack. Use SECO-LARM's optional EVA-F5521-3 Pigtail Connector for easy installation and serviceability.

**BEFORE STARTING**

1. Please read this manual carefully and keep it for future reference.
2. Use the camera within given temperature and electricity limits.
3. Do not aim the LED light directly at the eyes when the LEDs are on.
4. Do not point the camera at the sun. Heat could damage the camera, even when not in use.
5. Do not mount the camera in areas exposed to radiation, strong magnetic fields, or strong electrical signals.\*

6. Do not open or disassemble the camera. There are no user-serviceable parts inside.
7. Do not drop the camera or subject it to strong vibrations.

\* Note: Many video monitors produce strong electromagnetic fields close to the display CRT, especially when the monitor is turned on or during de-Gaussing, which occurs automatically with many monitors when the monitor is turned on.

**INSTALLATION**

1. Run a 12VDC power supply wire and a video cable with a male BNC connector through the wall to where the camera is to be mounted (if necessary).
2. Using the mounting screws and screw anchors, attach the mounting base to the wall or ceiling where the camera is to be mounted.
3. Connect the camera to the 12VDC power supply.
4. Connect the camera's female BNC connector to the male BNC connector of the video cable.
5. Attach the camera to the mounting base by twisting the adjustment collar and securing it to the plate.
6. Adjust the camera so the picture on the monitor clearly displays the image from the camera.
7. Using the adjustment collar and locking screw, secure the camera in place.